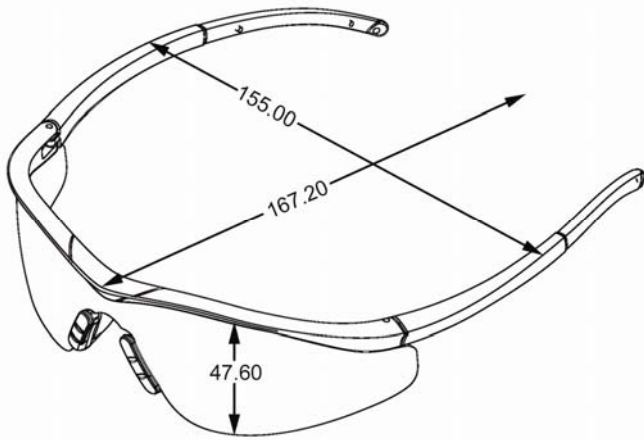


Specification Sheet For T114R Safety Glasses

Item Number:	T114R	Series:	Triwear
Description:	Triwear Steel Frame, Fire Lens with Silver Cord	Features:	Single wraparound aspheric lens Black rubber temple sleeve Gel nose piece Breakaway cord Satin carrying case Duramass® scratch resistant coating Meets or exceeds ANSI Z87.1+ standard
Benefits:	Aspheric lens provides greater optical quality Padded, more comfortable fit w/ area to attach breakaway cord Padded for greater fit To keep glasses in reach when not in use Case can be used to clean glasses or store when not in use For superior resistance to scratches Meets the ANSI standards for high impact	Case Pack:	144
		Weight:	1.890
		Case Weight:	272.16



Materials

Frames		Lens	
Material:	Nylon	Material:	Polycarbonate
Temples:	Bayonet	Coatings:	Duramass® scratch resistant
Color:	Steel	Colors:	SEE BELOW
Options:	Onyx	Options:	

More Information

Available Lens:	Clear:		Clear Anti-Fog:	X
	Grey:		Grey Anti-Fog:	X
	Fire:	X	Brown Anti-Fog:	
	Amber:		Silver Mirror:	X
	Indoor/Outdoor Clear Mirror AF:	X	Rainbow Mirror:	
	IR 3.0 Green:		Red Mirror:	
	IR 5.0 Green:		Emerald:	X
	Blue Diamond:	X	Vermilion:	
Ratings:	Meets or Exceeds ANSI Z87.1+ Safety Standards.			