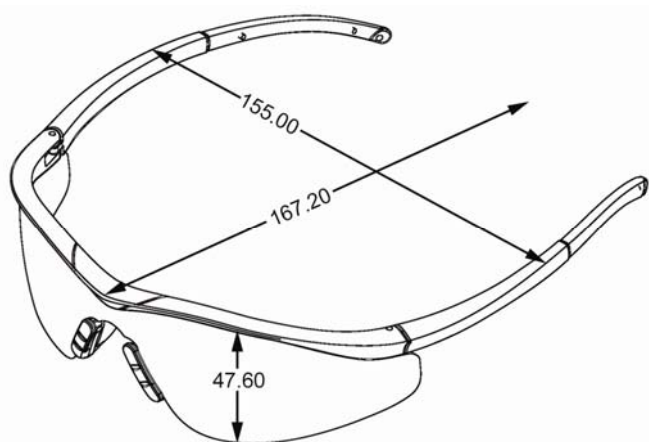


Specification Sheet For T1119AF Safety Glasses

Item Number:	T1119AF	Series:	TRIWEAR
Description:	Triwear Onyx Frame, Indoor/Outdoor Clear Mirror Anti-Fog Lens with Black Cord	Features:	Black rubber temple sleeve Gel nose piece Breakaway cord Satin carrying case Duramass® scratch resistant coating Exclusive Duramass® AF4 anti-fog coating Meets or exceeds ANSI Z87.1+ standard
Benefits:	Padded, more comfortable fit w/ area to attach breakaway cord Padded for greater fit To keep glasses in reach when not in use Case can be used to clean glasses or store when not in use For superior resistance to scratches Helps prevent fogging Meets the ANSI standards for high impact	Case Pack:	144
		Weight:	1.890 oz.
		Case Weight:	272.16 lb.



Materials

Frames		Lens	
Material:	Nylon	Material:	Polycarbonate
Temples:	Bayonet	Coatings:	Duramass® scratch resistant, Duramass® AF4 anti-fog
Color:	Onyx	Colors:	SEE BELOW
Options:	Steel	Options:	

More Information

Available Lens:	Clear:		Clear Anti-Fog:	X
	Grey:		Grey Anti-Fog:	X
	Brown:		Brown Anti-Fog:	
	Indoor/Outdoor Clear Mirror Anti-Fog:	X	Silver Mirror:	X
	IR 3.0 Green:	X	Rainbow Mirror:	
	IR 5.0 Green:	X	Red Mirror:	
	Fire:	X	Emerald:	X
	Blue Diamond:		Vermilion:	
Country of Origin:	Taiwan			
Ratings:	Meets or Exceeds ANSI Z87.1+ Safety Standards.			