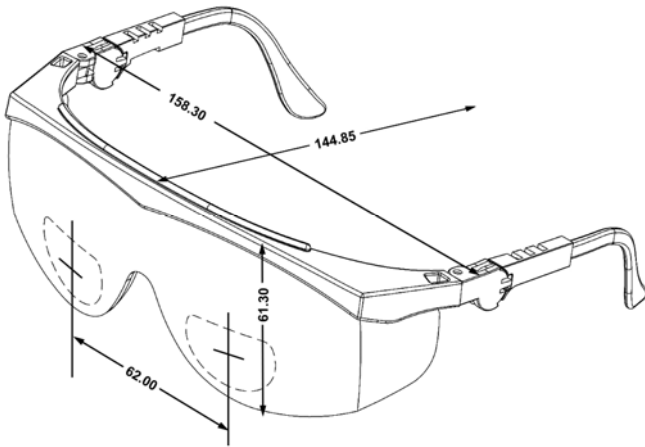


## Specification Sheet For TKH20 Safety Glasses

|              |  |              |   |
|--------------|--|--------------|---|
| Item Number: | TKH20  | Series:      | Tomahawk  |
| Description: | Tomahawk bifocal magnifier 2.0, clear lens   | Features:    | 5-position ratchet temples<br>Extension adjustment temples<br>4 diopter strengths available-1.0, 1.5, 2.0, & 2.5<br>Nylon frame |
| Benefits:    | Total eye protection for people needing magnifying lens<br>Lightweight nylon frame | Case Pack:   | 72 pr.  |
|              |  | Weight:      | 1.89 oz.  |
|              |  | Case Weight: | 136.08 oz.  |



### Materials

| Frames    |                 | Lens      |                              |
|-----------|-----------------|-----------|------------------------------|
| Material: | Nylon           | Material: | Polycarbonate                |
| Temples:  | Ratchet Spatula | Coatings: | Duramass (scratch-resistant) |
| Color:    | Black           | Colors:   | See Below                    |
| Options:  |                 | Options:  |                              |

### More Information

|                    |  |   |                 |  |
|--------------------|--|---|-----------------|--|
| Available Lens:    | Clear:   | X | Clear Anti-Fog: |  |
|                    | Grey:  | X | Grey Anti-Fog:  |  |
|                    | Brown:   |   | Brown Anti-Fog: |  |
|                    | Amber:   |   | Silver Mirror:  |  |
|                    | Indoor/Outdoor Clear Mirror:                       |   | Rainbow Mirror: |  |
|                    | Light Blue:  |   | Red Mirror:     |  |
|                    | Banana Mirror:                                     |   | Copper:         |  |
|                    | Blue Mirror:                                       |   |                 |  |
| Country of Origin: | Taiwan   |   |                 |  |
| Ratings:           | Meets or Exceeds ANSI Z87.1 2003 Safety Standards. |   |                 |  |