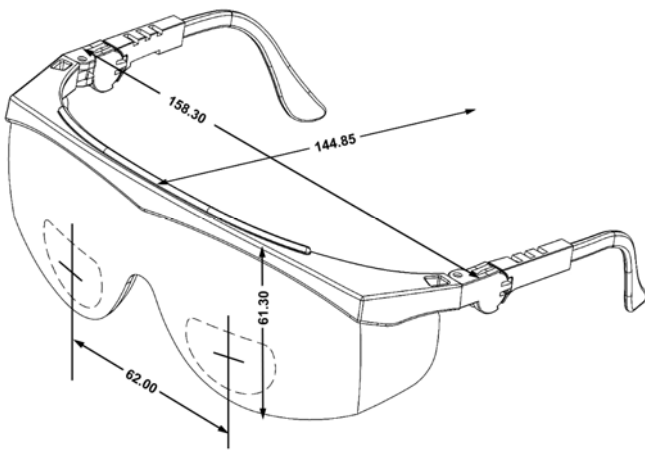


## Specification Sheet For TKH10 Safety Glasses

<b>Item Number:</b>	TKH10	<b>Series:</b>	Tomahawk
<b>Description:</b>	Tomahawk bifocal magnifier 1.0, clear lens	<b>Features:</b>	5-position ratchet temples Extension adjustment temples 4 diopter strengths available-1.0, 1.5, 2.0, & 2.5 Nylon frame
<b>Benefits:</b>	Total eye protection for people needing magnifying lens Lightweight nylon frame	<b>Case Pack:</b>	72 pr.
		<b>Weight:</b>	1.89 oz.
		<b>Case Weight:</b>	136.08 oz.



### Materials

Frames		Lens	
<b>Material:</b>	Nylon	<b>Material:</b>	Polycarbonate
<b>Temples:</b>	Ratchet Spatula	<b>Coatings:</b>	Duramass (scratch-resistant)
<b>Color:</b>	Black	<b>Colors:</b>	See Below
<b>Options:</b>		<b>Options:</b>	

### More Information

<b>Available Lens:</b>	Clear:	X	Clear Anti-Fog:	
	Grey:	X	Grey Anti-Fog:	
	Brown		Brown Anti-Fog	
	Amber:		Silver Mirror:	
	Indoor/Outdoor Clear Mirror:		Rainbow Mirror:	
	Light Blue:		Red Mirror:	
	Banana Mirror:		Copper:	
	Blue Mirror:			
<b>Country of Origin:</b>	Taiwan			
<b>Ratings:</b>	Meets or Exceeds ANSI Z87.1 2003 Safety Standards.			