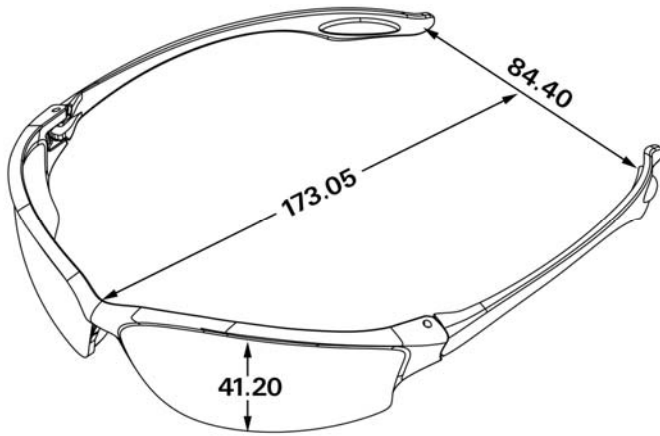


Specification Sheet For LW118 Safety Glasses

Item Number:	LW118	Series:	Law
Description:	Law blue frame, blue mirror lens	Features:	Soft temple inserts Duramass® scratch-resistant coating Meets or Exceeds ANSI Z87.1 standard Dielectric
Benefits:	Offer additional comfort with grip For superior resistance to scratches Safe for Utility / Electrical work Meets the ANSI standards for high impact	Case Pack:	144 pr.
		Weight:	0.695 oz.
		Case Weight:	100.08 oz.



Materials

Frames		Lens	
Material:	Nylon	Material:	Polycarbonate
Temples:	Bayonet	Coatings:	Duramass® scratch-resistant
Color:	Blue	Colors:	See Below
Options:		Options:	

More Information

Available Lens:	Clear:		Clear Anti-Fog:	
	Grey:		Grey Anti-Fog:	
	Light Blue:		Brown Anti-Fog:	
	Amber:		Silver Mirror:	
	Indoor/Outdoor Clear Mirror:		Blue Mirror:	X
	Filter 3.0		Filter 5.0	
Country of Origin:	Taiwan			
Ratings:	Meets or Exceeds ANSI Z87.1 Safety Standards.			