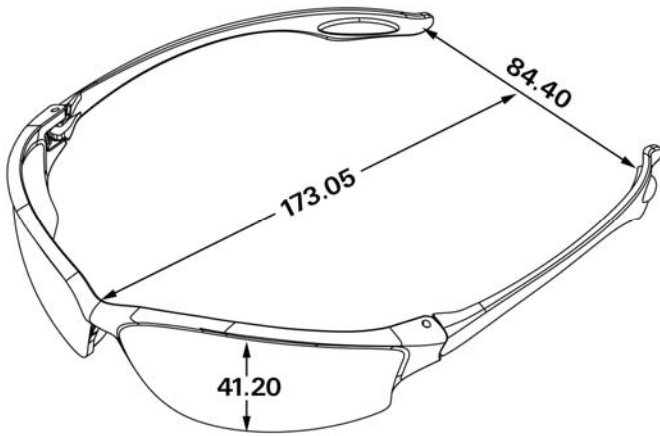


Specification Sheet For LW114 Safety Glasses

Item Number:	LW114	Series:	Law
Description:	Law amber frame, amber lens	Features:	Soft temple inserts Duramass® scratch-resistant coating Dielectric Meets or Exceeds ANSI Z87.1 Standard Meets CAN/CSA Z94.3-02 Standard
Benefits:	Offer additional comfort with grip For superior resistance to scratches Safe for Utility / Electrical work Meets the ANSI standards for high impact	Case Pack:	144 pr.
		Weight:	0.695 oz.
		Case Weight:	100.08 oz.



Materials

Frames		Lens	
Material:	Nylon	Material:	Polycarbonate
Temples:	Bayonet	Coatings:	Duramass® scratch-resistant
Color:	Amber	Colors:	See Below
Options:		Options:	

Available Lens:	Clear:		Clear Anti-Fog:	
	Grey:		Grey Anti-Fog:	
	Light Blue:		Brown Anti-Fog:	
	Amber:	X	Silver Mirror:	
	Indoor/Outdoor Clear Mirror:		Blue Mirror:	
	Filter 3.0		Filter 5.0	

Country of Origin:	Taiwan
Ratings:	Meets or Exceeds ANSI Z87.1 Safety Standards. Meets CAN/CSA Z94.3-02 Safety Standards.