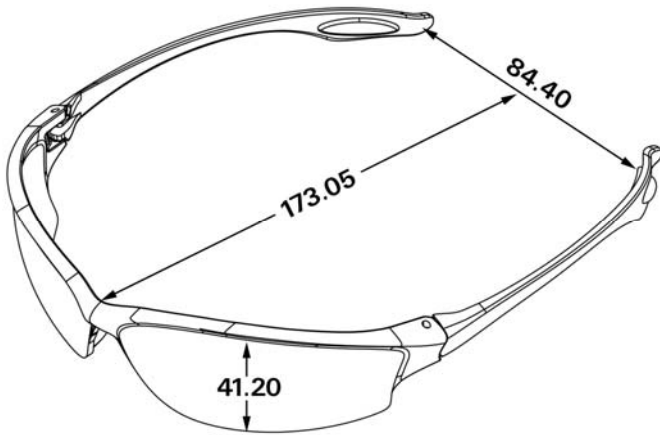


Specification Sheet For LW110AF Safety Glasses

Item Number:	LW110AF	Series:	Law
Description:	Law clear frame, clear anti-fog lens	Features:	Soft temple inserts Duramass® scratch-resistant coating Exclusive Duramass® AF4 anti-fog coating Dielectric Meets or Exceeds ANSI Z87.1 Standard Meets CAN/CSA Z94.3-02 Standard
Benefits:	Offer additional comfort with grip For superior resistance to scratches Safe for Utility / Electrical work Meets the ANSI standards for high impact	Case Pack:	144 pr.
		Weight:	0.695 oz.
		Case Weight:	100.08 oz.



Materials

Frames		Lens	
Material:	Nylon	Material:	Polycarbonate
Temples:	Bayonet	Coatings:	Duramass® scratch-resistant, AF4 anti-fog
Color:	Clear	Colors:	See Below
Options:		Options:	

More Information

Available Lens:	Clear:	X	Clear Anti-Fog:	X
	Grey:		Grey Anti-Fog:	
	Light Blue:		Brown Anti-Fog:	
	Amber:		Silver Mirror:	
	Indoor/Outdoor Clear Mirror:		Blue Mirror:	
	Filter 3.0		Filter 5.0	
Country of Origin:	Taiwan			
Ratings:	Meets or Exceeds ANSI Z87.1 Safety Standards. Meets CAN/CSA Z94.3-02 Safety Standards.			