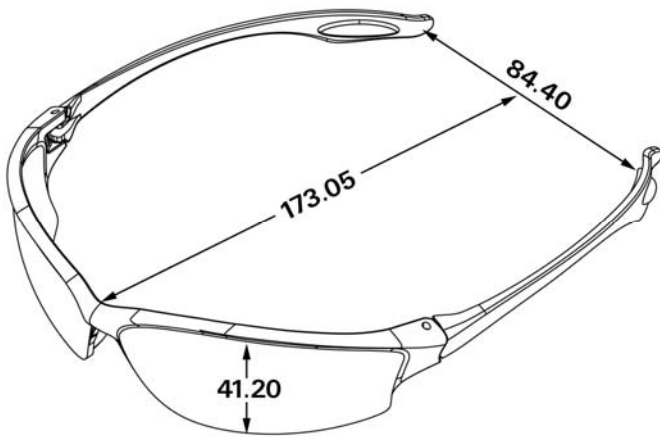


Specification Sheet For LW219AF Safety Glasses

Item Number:	LW219AF	Series:	Law
Description: Benefits:	Law 2 clear frame, Indoor Outdoor Mirror Anti Fog Lens Offer additional comfort with grip For superior resistance to scratches Safe for Utility / Electrical work without the risk of arc flash Meets the ANSI standards for high impact	Features:	Soft temple inserts Soft secure gel nose pads Duramass® scratch-resistant coating Dielectric Meets or Exceeds ANSI Z87.1 Standard Meets CAN/CSA Z94.3-02 Standard
		Case Pack:	144 pr.
		Weight:	0.695 oz.
		Case Weight:	100.08 oz.



Materials

Frames		Lens	
Material:	Nylon	Material:	Polycarbonate
Temples:	Bayonet	Coatings:	Duramass® scratch-resistant
Color:	Clear	Colors:	See Below
Options:		Options:	

More Information

Available Lens:	Clear:	X	Clear Anti-Fog:	X
	Grey:	X	Grey Anti-Fog:	X
	Light Blue:	X	Brown Anti-Fog:	
	Amber:	X	Silver Mirror:	X
	Indoor/Outdoor Clear Mirror:	X	Rainbow Mirror:	X
	Filter 3.0		Filter 5.0	
Country of Origin:	Taiwan			
Ratings:	Meets or Exceeds ANSI Z87.1 Safety Standards. Meets CAN/CSA Z94.3-02 Safety Standards.			