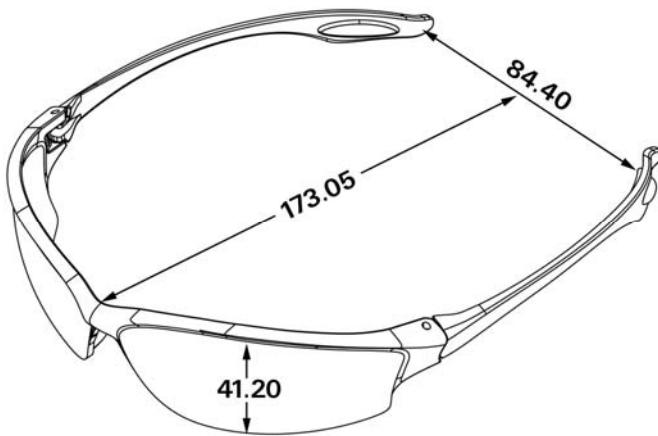


Specification Sheet For LW2130 Safety Glasses

Item Number:	LW2130	Series:	Law 2
Description:	Law 2 green tint temples, 3.0 Green filter lens	Features:	Soft temple inserts Soft secure gel nose pads Duramass® scratch-resistant coating Dielectric Meets or Exceeds ANSI Z87.1 Standard
Benefits:	Protects against ultraviolet and infrared radiation Torch brazing and light cutting up to one inch Offer additional comfort with grip For superior resistance to scratches Safe for Utility / Electrical work Meets the ANSI standards for high impact	Case Pack:	144 pr.
		Weight:	1.349 oz.
		Case Weight:	194.256 oz.



Materials

Temples		Lens	
Material:	Nylon – Integrated Frame	Material:	Polycarbonate
Temples:	Bayonet	Coatings:	Duramass® scratch-resistant
Color:	Green Tint	Colors:	See Below
Options:		Options:	

More Information

Available Lens:	Clear:	X	Clear Anti-Fog:	X
	Gray:	X	Gray Anti-Fog:	X
	Light Blue:	X	Blue Mirror:	X
	Amber:	X	Silver Mirror:	X
	Indoor/Outdoor Clear Mirror:	X	Filter 2.0	X
	Filter 3.0	X	Filter 5.0	X
Country of Origin:	Taiwan			
Ratings:	Meets or Exceeds ANSI Z87.1 Safety Standards.			

Specification Sheet For LW2130 Safety Glasses