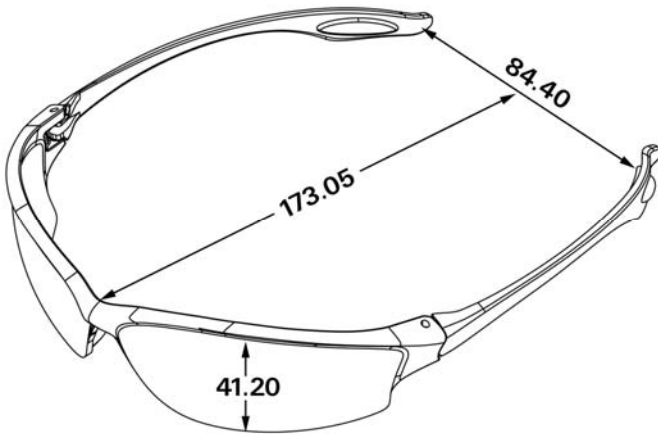


## Specification Sheet For LW2120 Safety Glasses

<b>Item Number:</b>	LW2120	<b>Series:</b>	Law 2
<b>Description:</b>	Law 2 green tint temples, 2.0 Green filter lens	<b>Features:</b>	Soft temple inserts Soft secure gel nose pads Duramass® scratch-resistant coating Dielectric Meets or Exceeds ANSI Z87.1 Standard
<b>Benefits:</b>	Protects against ultraviolet and infrared radiation Torch Soldering Offer additional comfort with grip For superior resistance to scratches Safe for Utility / Electrical work Meets the ANSI standards for high impact	<b>Case Pack:</b>	144 pr.
		<b>Weight:</b>	1.349 oz.
		<b>Case Weight:</b>	194.256 oz.



### Materials

Temples		Lens	
<b>Material:</b>	Nylon – Integrated Frame	<b>Material:</b>	Polycarbonate
<b>Temples:</b>	Bayonet	<b>Coatings:</b>	Duramass® scratch-resistant
<b>Color:</b>	Green Tint	<b>Colors:</b>	See Below
<b>Options:</b>		<b>Options:</b>	

### More Information

<b>Available Lens:</b>	Clear:	X	Clear Anti-Fog:	X
	Gray:	X	Gray Anti-Fog:	X
	Light Blue:	X	Blue Mirror:	X
	Amber:	X	Silver Mirror:	X
	Indoor/Outdoor Clear Mirror:	X	Filter 2.0	X
	Filter 3.0	X	Filter 5.0	X
<b>Country of Origin:</b>	Taiwan			
<b>Ratings:</b>	Meets or Exceeds ANSI Z87.1 Safety Standards.			

**Specification Sheet For LW2120 Safety Glasses**