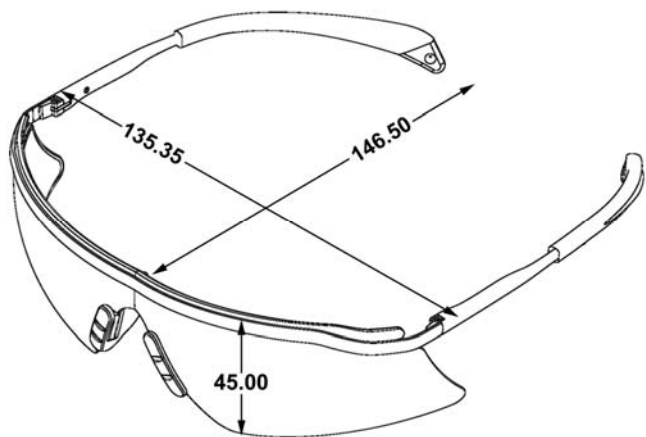


Specification Sheet For DS319 Safety Glasses

Item Number:	DS319	Series:	Desperado
Description:	Desperado metal frame, I/O clear mirror lens	Features:	Floating lens design Non-slip rubber head grips Break-away strap indentions on temples Soft gel nosepiece Strong, lightweight polycarbonate lens Durmass® scratch resistance coating Meets or exceeds ANSI Z87.1+ standard Metal spring hinge temple design Sleek metal frame glass design
Benefits:	<p>Makes for extremely lightweight, well balanced safety glass</p> <p>Lens provide 99.9% UV protection</p> <p>Secure non-slip gripping</p> <p>Can be worn w/ eyeglass cord</p> <p>Comfortable secure fit</p> <p>For superior resistance to scratches</p> <p>Meets the ANSI standards for high impact</p> <p>Greater flexibility and comfort when glasses are worn</p> <p>Stylish specs workers will want to wear</p>	Case Pack:	144 pr.
		Weight:	1.372 oz.
		Case Weight:	197.57 oz.



Materials

Frames		Lens	
Material:	Metal	Material:	Polycarbonate
Temples:	Spatula	Coatings:	Durmass (scratch-resistant)
Color:	Silver	Colors:	See Below
Options:		Options:	

More Information

Available Lens:	Clear:	X	Clear Anti-Fog:	
	Grey:	X	Grey Anti-Fog:	
	Brown:		Brown Anti-Fog:	
	Amber:		Silver Mirror:	
	Indoor/Outdoor Clear Mirror:	X	Rainbow Mirror:	
	Light Blue:		Red Mirror:	
	Blue Diamond:	X	Fire:	X
Ratings:	Meets or Exceeds ANSI Z87.1+ Safety Standards.			